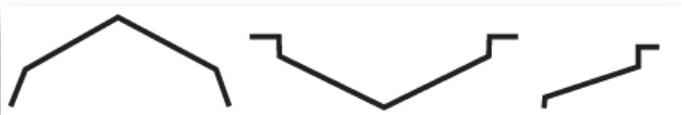
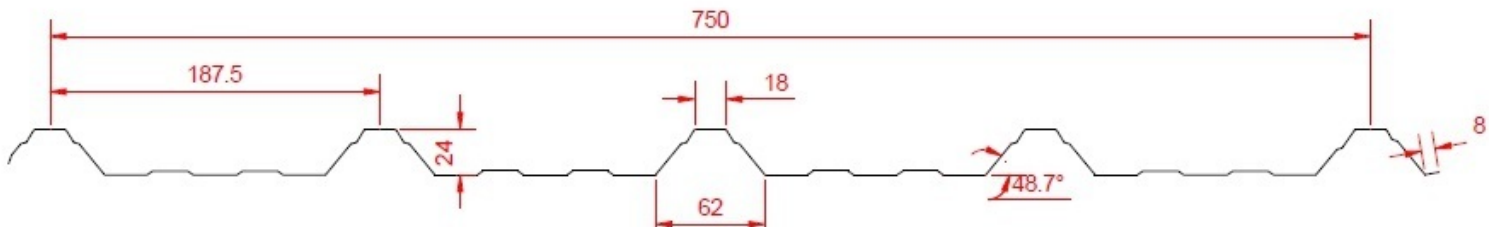


METAL ROOFING

Metal Roofing System is made from zinc coated base metal with several layers of coating and color to replace traditional clay roofing. It is lighter, cost efficient, higher quality control, and easier to install. It is suitable for residential and commercial building.



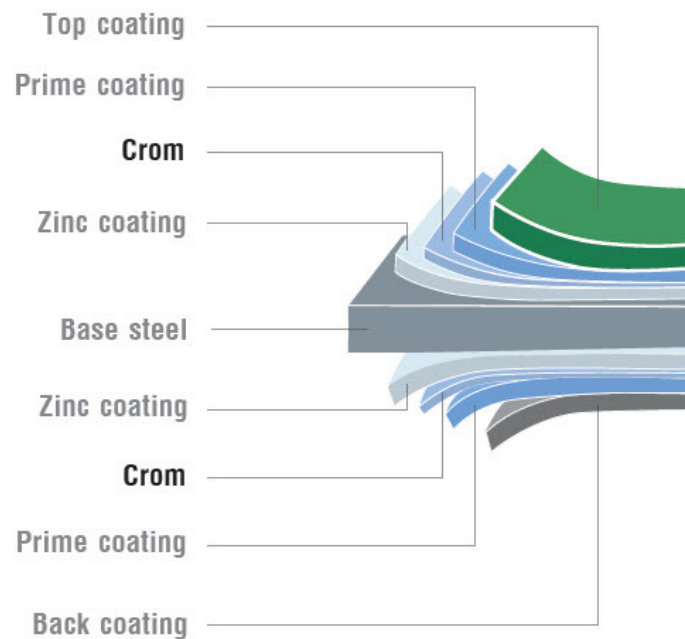
We produce all metal roofing accessories, such as: , Gutter, Ridge Capping, Valley Gutter, Gutter Support, Party wall capping, Wall Flushing, Barge Capping, Fascia Capping, Custom Capping, etc.

Our profile is very effective against water stagnation.

Our base material is G550 GI (galvanized) steel conform to JIS G3312 & AS1397 standard.

Our color coating steel consists of several layers of protective coating highly durable against weather and corrosion.

TMG SOLUTIONS



TCT Total Coating Thickness (mm)	Width Coverage (mm)	Recommended Spacing between Support						Maximum Overhang / Cantilever (mm)
		Roof			Wall			
		Single Span (mm)	Internal Span (mm)	End Span (mm)	Single Span (mm)	Internal Span (mm)	End Span (mm)	
0.48	750	1100	1600	1200	1600	2000	1800	150
0.42	750	1000	1400	1100	1200	1300	1500	150

PRE-PAINTED ZINC COATED STEEL STANDARD - JIS G3312				
PROPERTIES	MEASURE	METHODS	TMG STANDARDS	RESULTS
Corrosion resistance	Salt spray test	ASTM B117 & JIS Z2371	NaCl 5%, 500h	Corrosion
Weather resistance	Q.U.V test	ASTM D4587 & JIS K5600	QUV, 1000h	E, 0.5 gloss retention > 90%
Hardness	Pencil scratching	ASTM D3363 & JIS S6006	Mitsubishi 2H-3H, 1kg/cm2	No scratch
Solvent resistance	MEK double rubbing	ASTM D5402	100 x 2.1kg/cm2	No rub-off
Adhesion	T-bend test	ASTM D4145	max 2T, scotch tape	No rub-off
	Impact test	ASTM D2794	1/2", 1000g, 500mm, scotch tape	No rub-off
	C.C.E.T	ASTM D3359	100x1mm2, scotch tape	No rub-off
Glose	Elcometer	ASTM D523	meter - 60 degree	25+5, 45+5, 75+5



COLOR CHARTS								other colors available upon request.
GUN METAL GREY	ARMOUR GREY	GULL GREY	CAULIFIED GREEN	AQUA MARINE GREEN	LAZURITE BLUE	TOMATO ORANGE	RED MAROON	CHILI RED

TCT Total Coating	Density (kg/m)
0.48	3.16-3.31
0.45	2.95-3.01
0.42	2.72-2.88
0.40	2.59-2.65
0.38	2.45-2.51
0.35	2.23-2.29

TOLERANCES	
LENGTH	+/- 10 mm
COVER WIDTH	+/- 4 mm

10 years Limited Warranty Certificate

All our products come with a warranty that includes: (T&C applied)

- 10 years warranty against perforation due to corrosion
- 10 years warranty against cracking and peeling
- 5 years warranty against staining or dirt



TMG Solutions Sdn. Bhd.

Lot 917 Lorong Demak Laut 3a1
 Demak Laut Industrial Park, 93050, Kuching, Sarawak, Malaysia
 O: +6082-433297 | F: +6082-433298 | www.tmgsteel.com